

# RIKI®

COMMERCIAL GRADE TRUCK EQUIPMENT

SERVICE BODIES





# Quality Service Bodies Built For The Long Haul

If your business depends on trucks, you can depend on RKI. Founded in 1911 and still family owned and operated, RKI manufactures a wide variety of extremely durable, premium quality service bodies and options that offer the best value in the truck equipment industry.

RKI understands customers' diverse storage, convenience, and structural requirements; and creates products that meet them on target and on budget. Which service body is right for you? Find your answer in our comprehensive product lines:

Our standard S-Series provides maximum storage for a given chassis size.

Choose the T-Series for excellent storage with top opening convenience.

L-Series bodies offer a lower profile and more rear visibility than our S-Series.

Our U-Series ultra low profile and our J-Series top opening ultra low profile service bodies are excellent choices for optimum visibility or for gooseneck trailer applications.

All RKI service bodies are "heavy duty" bodies designed to give long-lasting superior service.

RKI recommends the use of our E-Series bodies for any application requiring rugged use.

E-Series bodies are recommended for applications with aerial devices, when mounting additional accessories such as large welders or compressors or for excessive off road use.

E-Series bodies are considered the body of choice for vehicles that are under heavy use, or for larger trucks.

RKI recommends the use of its E-Series heavy duty bodies for Ford trucks over 19,000 GVWR or General Motors over 12,000 GVWR.

Crane bodies are designed to transfer the crane's load directly to the truck chassis frame.

C-Series crane bodies are reinforced for up to 8,000 lbs. cranes (50,000 ft.lbs.)

G-Series crane bodies provide the same heavy duty construction as our standard bodies and are reinforced for up to 6,400 lbs cranes (40,000 ft.lbs).

We have the experience and expertise to customize a service body to meet your unique specifications. No matter which product you choose, we use only the finest materials and workmanship, and we stand by what we sell with a lifetime warranty. Count on RKI to get the right truck equipment for your job.

## Utility Bodies

## Service Bodies

## Equipment Bodies

## Crane Bodies

## Line Bodies

## J, L, S, T & U-Series Bodies Include the Following Standard Features:

### Canopy Bodies

- > 14 gauge A40 galvalneal steel construction.
- > Double panel doors with 14 gauge galvalneal outer panel and 18 gauge galvalneal inner panel.

### Custom Bodies

- > 12 gauge treadplate floor.
- > 3/16" A50 high strength steel formed crossmembers at front and rear of body.
- > 10 gauge high strength steel formed intermediate crossmembers.
- > 3 full length 14 gauge formed "C" channel longitudinals for full length floor support.

### Aluminum Bodies

- > Stainless steel integral rod door hinge pins.
- > Stainless steel pillow blocks with self-lubricating bushings.
- > Stainless steel paddle latches.
- > Heavy duty chain supports on horizontal doors.
- > Spring-loaded door retainers on vertical doors.
- > Automotive square-bulb seal with knife edge on the door.
- > 16 gauge shelving is adjustable on 2" centers.
- > Shelving slotted for adjustable dividers on 2" centers.
- > 20 adjustable dividers for compartment shelving.
- > 16 adjustable dividers for top opening compartments.
- > Material hook bar assembly with 3 hooks.
- > Seamless fender panels.
- > One-hand, easy open slam tailgate.
- > Body fully undercoated.
- > Lifetime warranty.

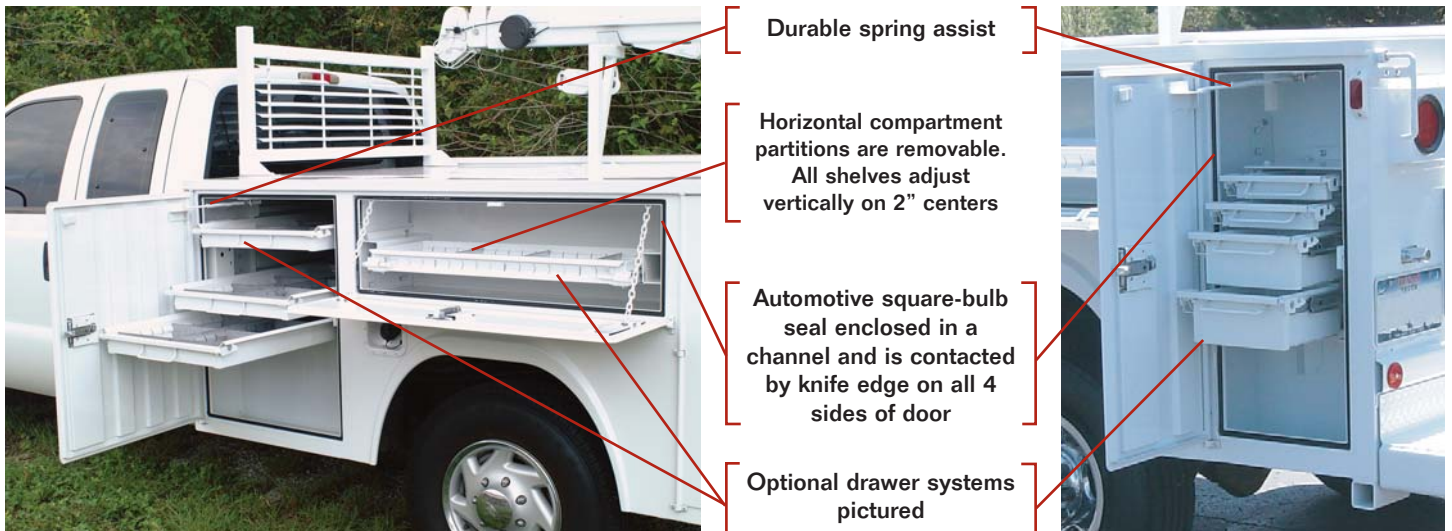


SERVICE BODY FEATURES



**RKI Commercial Grade Truck Equipment**

**BACKED BY A LIFETIME WARRANTY**

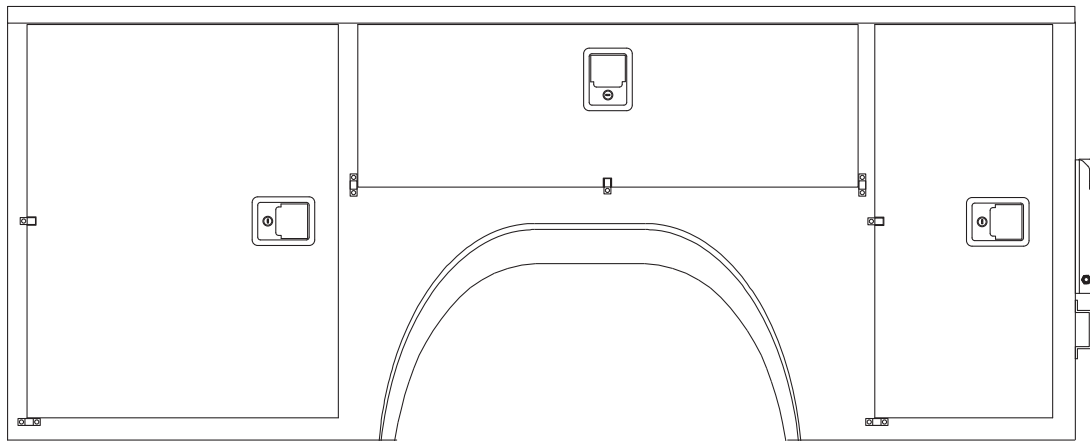
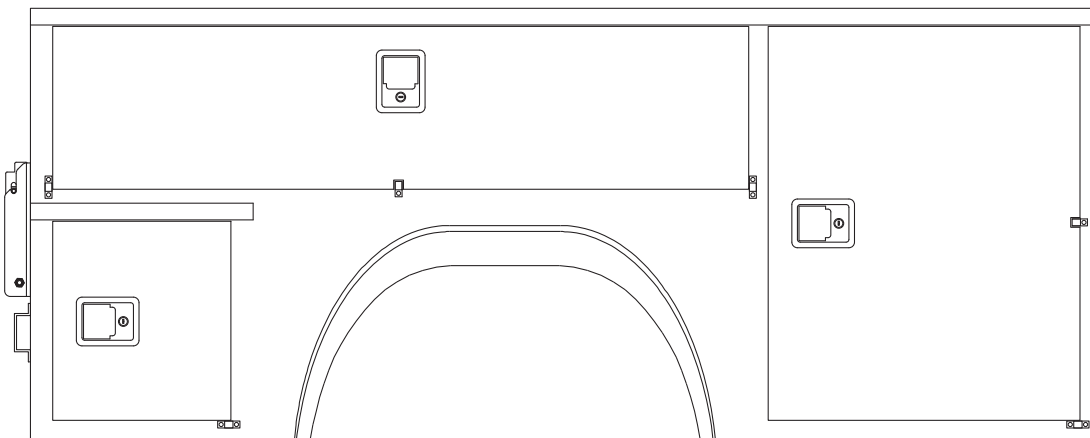


**Model Number Designation**

<b>T</b>	<b>60</b>	<b>D</b>	<b>W</b>	<b>12</b>	<b>94</b>
<b>1</b>	<b>2</b>	<b>3</b>	<b>4</b>	<b>5</b>	<b>6</b>

- BODY SERIES.**
- CHASSIS CA** – In inches.
- WHEEL WELL DESIGNATION:** Blank is single wheel. D is dual wheel.
- COMPARTMENT DEPTH:** Blank is 14 1/2" compartment. W is 20" compartment. X is 22" compartment
- COMPARTMENT CONFIGURATION:** Blank designates 11 configuration. First digit refers to streetside. Second digit refers to curbside.
- BODY WIDTH:** Measured in inches (excluding drip molding).

Body Series	Body Type	Overall Height
A	Line Construction	50"
C	Crane Bodies to 8,000# Capacity	44"
CA	Crane/Line Bodies to 8,000# Capacity	50"
E	Equipment Body	44"
G	Crane Bodies to 6,400# Capacity	44"
J	Top Opening Ultra Low	36 1/2"
L	Low Profile	39"
S	Standard Height	44"
T	Top Opening	44 1/2"
U	Ultra Low Profile	34"

**Compartment Configuration**
**#1 Compartment Configuration**
**Front**

**#2 Compartment Configuration (Not Available on Crane Reinforced Bodies)**
**Front**


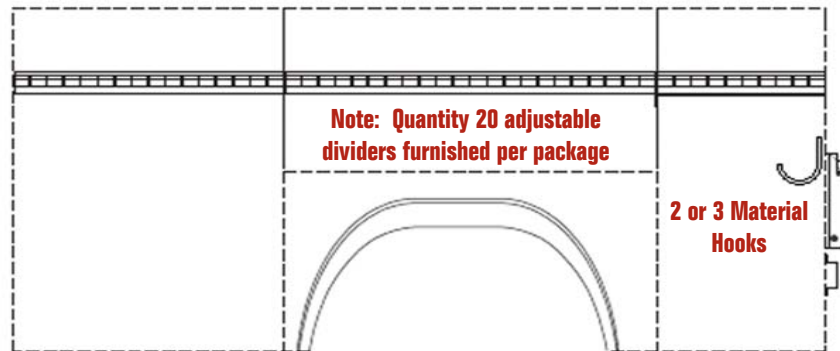
**The Industry's Most Comprehensive Standard Shelving Packages**

**Standard Shelf Package (Optional for C & G-Series bodies)**

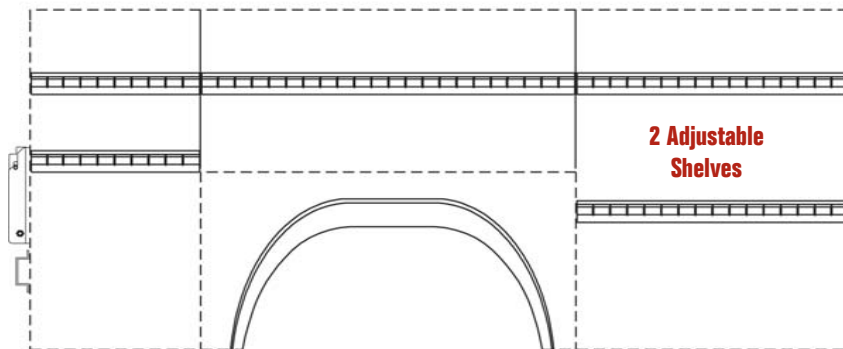
- > 4 Full-height removable partitions
- > 1 Material hook bar assembly with
  - 2 hooks (14 1/2" compartments)
  - 3 hooks (20" compartments)
- > 8 Adjustable shelves in 40", 42", 56", 57" and 60" CA bodies
- > 11 Adjustable shelves in 84" CA bodies
- > 14 Adjustable shelves in 102", 108" and 120" CA bodies
- > 20 Adjustable dividers
- > 16 Additional adjustable dividers for top compartments on the T-Series and J-Series bodies

**Sample of shelf arrangement on 40", 42", 56", 57" and 60" CA body**

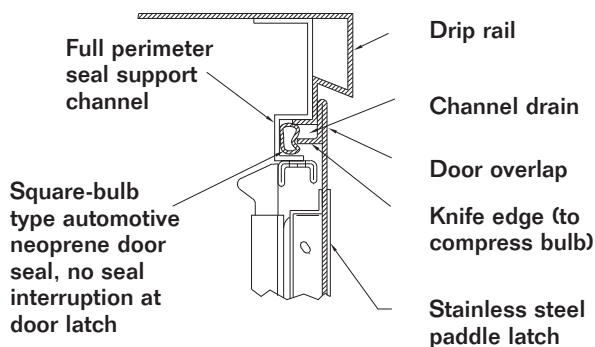
Left Side



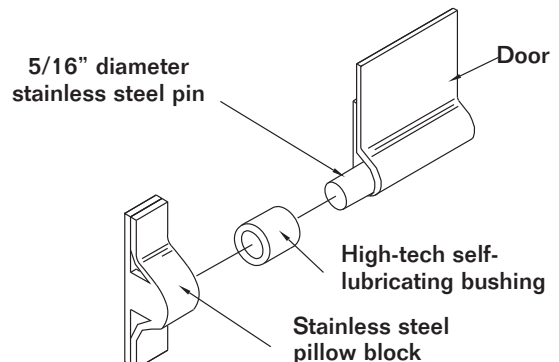
Right Side



**WEATHER PROTECTION SYSTEM**



**STAINLESS STEEL HINGE SYSTEM**

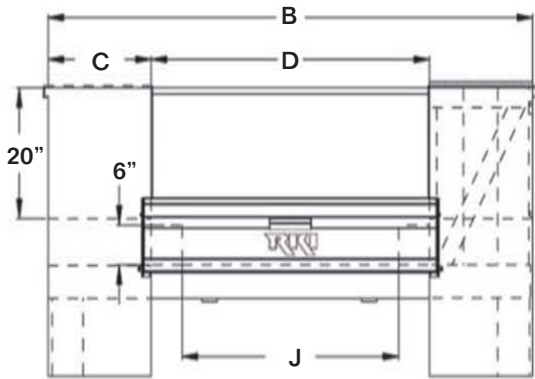


## RKI CRANE BODIES ARE DESIGNED TO TRANSFER THE CRANE LOADS DIRECTLY TO THE TRUCK CHASSIS FRAME.

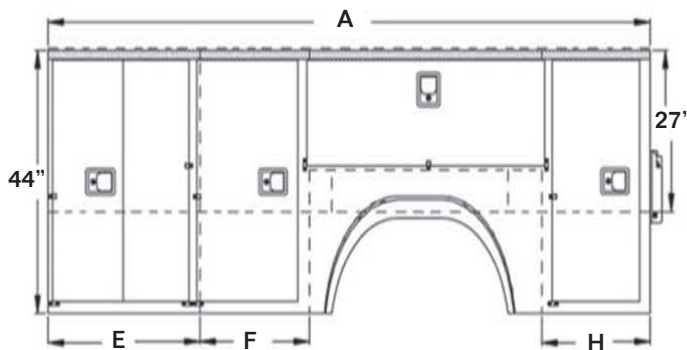
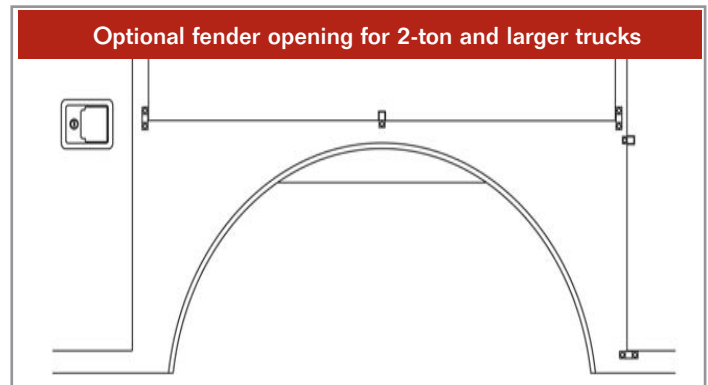
### Same Heavy Duty Construction as Standard Bodies Plus:

- > 12 gauge front and rear compartment panels.
- > 1/8" treadplate floor.
- > 1/8" treadplate overlay on compartment tops, load area walls, bulkhead and tailgate.
- > Front and rear crossmembers of heavy wall rectangular tubing.
- > Reinforced understructure with flatbar longitudinal runners.
- > Crane reinforcement for up to 8,000 lb. crane (50,000 ft. lb.).
- > Shelf package and body mounting kit are optional.
- > Litemount boxes included.
- > #2 door arrangement not available on C series bodies.

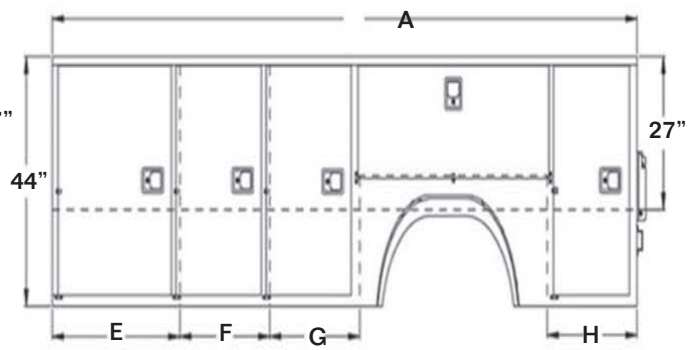
Specifications										Approximate
Model	A	B	C	D	E	F	G	H	J	Weight (lbs.)
C60DW89	108"	89"	20"	49"	34"	N/A	N/A	24"	42"	2,554
C60DW94	108"	94"	20"	54"	34"	N/A	N/A	24"	47"	2,646
C84DW89	132"	89"	20"	49"	35"	24"	N/A	24"	42"	2,905
C84DW94	132"	94"	20"	54"	35"	24"	N/A	24"	47"	2,969
C108DW89	156"	89"	20"	49"	35"	24"	24"	24"	42"	3,155
C108DW94	156"	94"	20"	54"	35"	24"	24"	24"	47"	3,737
C120DW94	168"	94"	20"	54"	35"	35"	24"	24"	47"	3,866



Rear View



Left Side



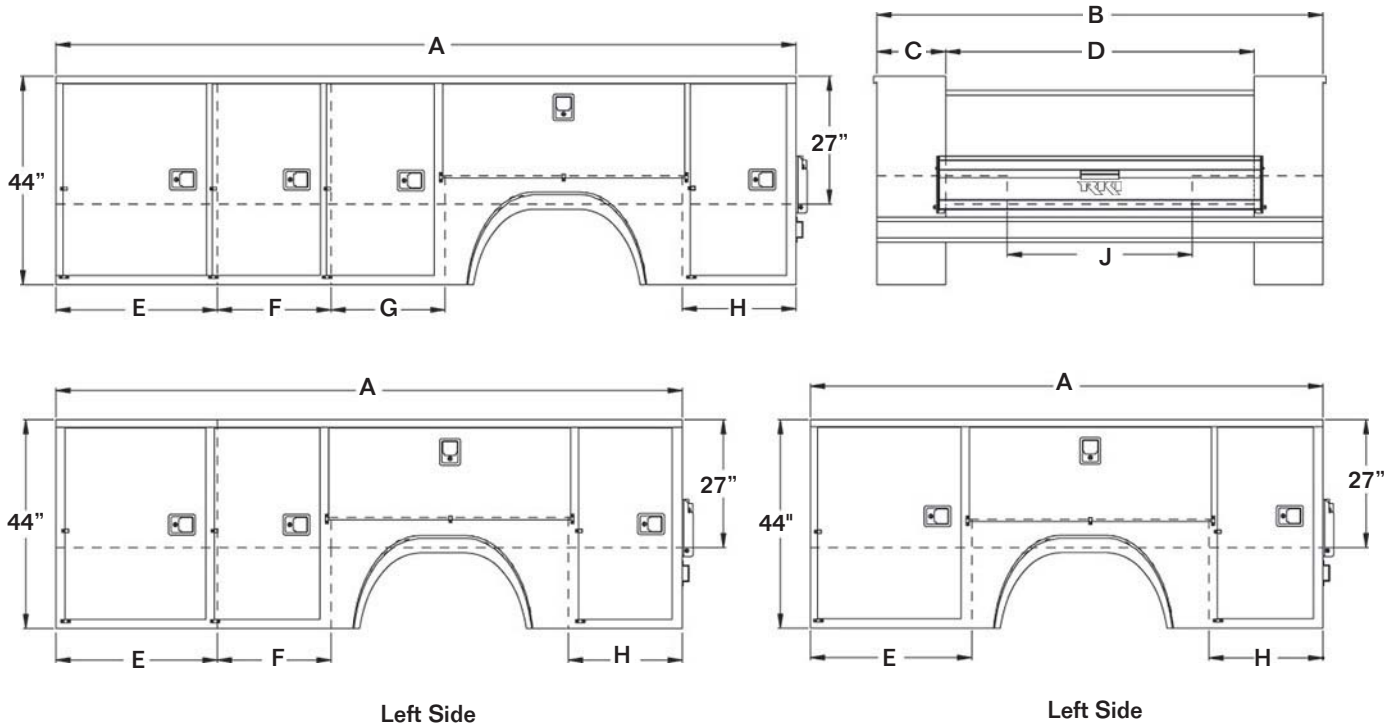
Left Side

HEAVY DUTY E-SERIES BODIES ARE DESIGNED FOR ONE TON AND LARGER TRUCKS.

Same Heavy Duty Construction and Shelf Package as Standard Bodies Plus:

- > 1/8" treadplate floor with 3" longitudinal flange at each body side.
- > 4" (5.4#) structural channel front, rear and extension crossmembers.
- > Three full length 12 gauge formed "C" channel longitudinals.
- > 1/2" x 3" flatbar runners.
- > Optional large radius fender opening for large tires.
- > Body mounting kit is optional.

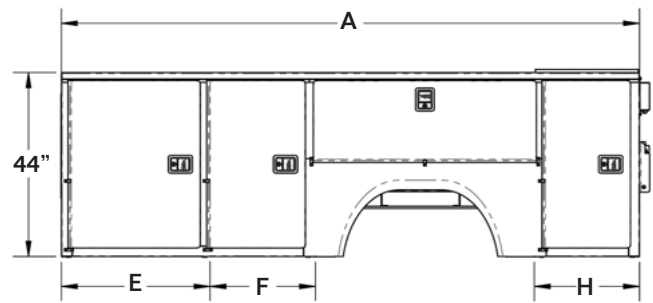
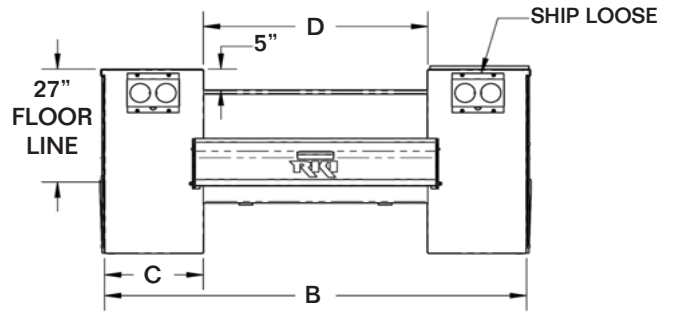
Specifications										
Model	A	B	C	D	E	F	G	H	J	Approximate Weight (lbs.)
E60D89	108"	89"	14 1/2"	60"	34"	N/A	N/A	24"	42"	1,641
E60D94	108"	94"	14 1/2"	65"	34"	N/A	N/A	24"	47"	1,667
E60DW89	108"	89"	20"	49"	34"	N/A	N/A	24"	42"	1,692
E60DW94	108"	94"	20"	54"	34"	N/A	N/A	24"	47"	1,733
E84D89	132"	89"	14 1/2"	60"	34"	24"	N/A	24"	42"	1,985
E84D94	132"	94"	14 1/2"	65"	34"	24"	N/A	24"	47"	2,037
E84DW89	132"	89"	20"	49"	34"	24"	N/A	24"	42"	2,047
E84DW94	132"	94"	20"	54"	34"	24"	N/A	24"	47"	2,116
E102D94	144"	94"	14 1/2"	65"	28"	24"	24"	18"	47"	2,306
E102DW94	144"	94"	20"	54"	28"	24"	24"	18"	47"	2,324
E108D94	156"	94"	14 1/2"	65"	34"	24"	24"	24"	47"	2,421
E108DW94	156"	94"	20"	54"	34"	24"	24"	24"	47"	2,482
E120D94	168"	94"	14 1/2"	65"	35"	35"	24"	24"	47"	2,543
E120DW94	168"	94"	20"	54"	35"	35"	24"	24"	47"	2,626



Compartmentation may vary to provide clearance for frame mounted equipment.

**G-SERIES BODIES INCLUDE THE FOLLOWING STANDARD FEATURES:**

- > 12 gauge front, rear, and bottom compartment panels
- > Extra deep 22" compartments.
- > 50" load area width with no wheel boxes.
- > 12 gauge treadplate compartment tops, load area walls and front bulkhead.
- > 1/8" treadplate floor with reinforced understructure and flatbar longitudinal runners.
- > Front and rear crossmembers of heavy wall rectangular tubing.
- > 12 gauge treadplate overlay on tailgate.
- > Crane reinforcement for up to 6,400 lb. crane (40,000 ft.lbs.) in right rear body compartment.
- > Rear light mounts included with body and shipped loose.


**Optional Features:**

- > Shelf package and body mounting kit are optional
  - > Optional large fender opening for 2-ton and larger trucks
  - > Predrilled crane mounting holes available.
- Specify pattern at time of order.



\*Shown with optional tailshelf, gas bottle holder, raised front compartment, master locking system, outriggers, and T handle latches.

Specifications										Approximate
Model	A	B	C	D	E	F	G	H	J	Weight (lbs.)
G60DX94	108"	94"	22"	50"	34"	N/A	N/A	24"	N/A	2,321
G84DX94	132"	94"	22"	50"	34"	24"	N/A	24"	N/A	2,730



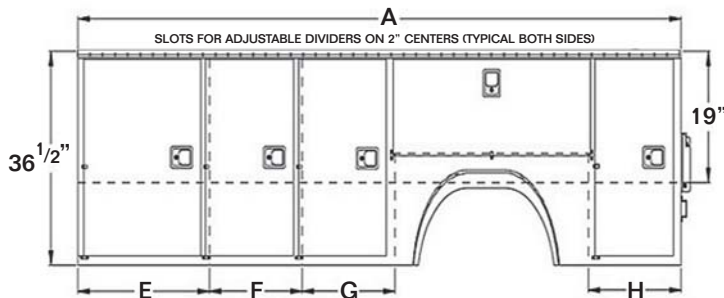
**J, L, S, T AND U-SERIES BODIES INCLUDE THE FOLLOWING STANDARD FEATURES:**

- > 14 gauge galvanized steel construction.
- > Double panel doors with 14 gauge galvanized outer panel and 18 gauge galvanized inner panel.
- > 12 gauge treadplate floor.
- > 3/16" A50 high strength steel formed crossmembers at front and rear of body.
- > 10 gauge high strength steel formed intermediate crossmembers.
- > 3 full length 14 gauge formed "C" channel longitudinals for full length floor support.
- > Stainless steel integral rod door hinge pins.
- > Stainless steel pillow blocks with self-lubricating bushings.
- > Stainless steel paddle latches.
- > Body fully undercoated.
- > Lifetime warranty.

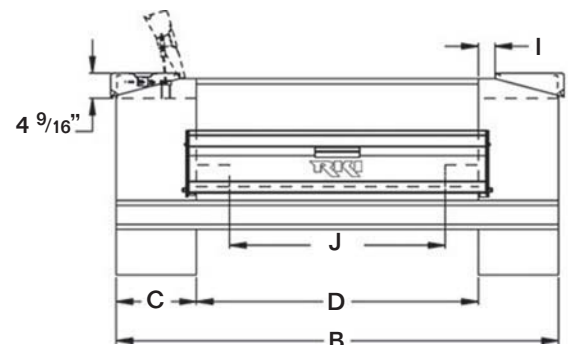
**J-SERIES SERVICE BODIES**

**J-SERIES: ULTRA LOW-PROFILE TOP OPENING STORAGE, WITH SLOTS FOR ADJUSTABLE DIVIDERS**

Specifications												
Model	S=Single Wheel	A	B	C	D	E	F	G	H	I	J	Approximate Weight (lbs.)
	D=Dual Wheel											
J5680	S	96"	80"	14 1/2"	51"	32"	N/A	N/A	20"	3"	N/A	1,233
J56D94	D	96"	94"	14 1/2"	65"	32"	N/A	N/A	20"	3"	51"	1,363
J56DW94	D	96"	94"	20"	54"	32"	N/A	N/A	20"	4"	51"	1,417
J6080	S	108"	80"	14 1/2"	51"	34"	N/A	N/A	24"	3"	N/A	1,377
J60D89	D	108"	89"	14 1/2"	60"	34"	N/A	N/A	24"	3"	42"	1,372
J60D94	D	108"	94"	14 1/2"	65"	34"	N/A	N/A	24"	3"	47"	1,421
J60DW89	D	108"	89"	20"	49"	34"	N/A	N/A	24"	4"	42"	1,487
J60DW94	D	108"	94"	20"	54"	34"	N/A	N/A	24"	4"	47"	1,613
J84D89	D	132"	89"	14 1/2"	60"	34"	24"	N/A	24"	3"	42"	1,620
J84D94	D	132"	94"	14 1/2"	65"	34"	24"	N/A	24"	3"	47"	1,674
J84DW89	D	132"	89"	20"	49"	34"	24"	N/A	24"	4"	42"	1,794
J84DW94	D	132"	94"	20"	54"	34"	24"	N/A	24"	4"	47"	1,840
J108DW94	D	156"	94"	20"	54"	34"	24"	24"	24"	4"	47"	2,301
J120DW94	D	168"	94"	20"	54"	35"	35"	24"	24"	4"	47"	2,461



Left Side

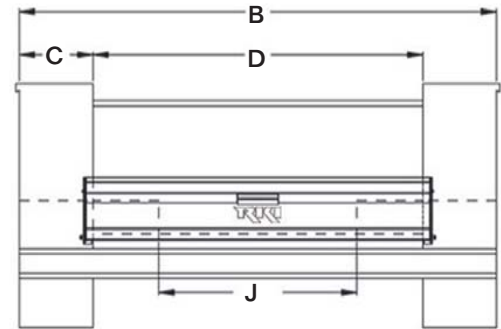
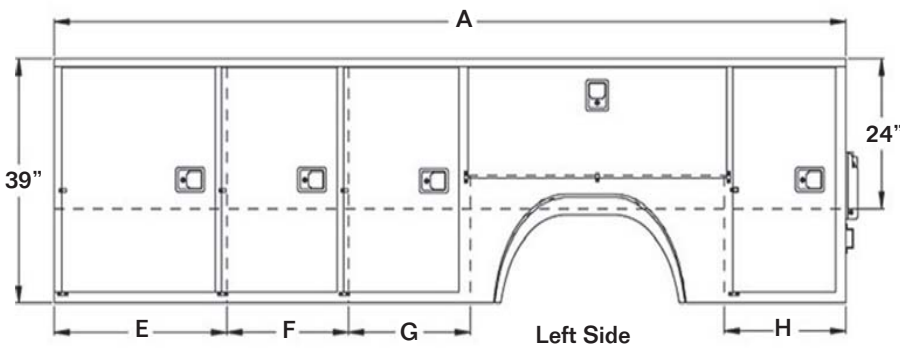


Rear View

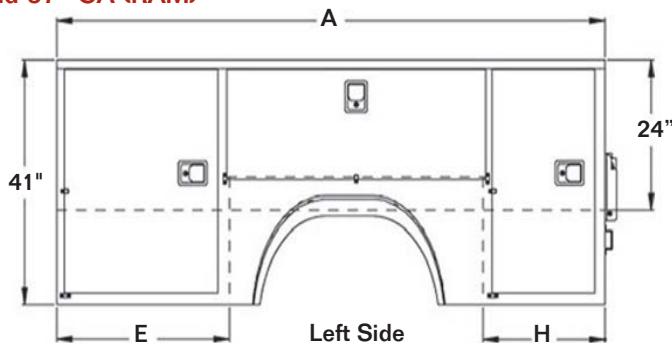
**L-SERIES: LOW PROFILE, HIGH-CAPACITY STORAGE**

Specifications											
Model	S=Single Wheel D=Dual Wheel										Approximate Weight (lbs.)
	A	B	C	D	E	F	G	H	J		
L3780	S	74 1/2"	80"	14 1/2"	51"	15"	N/A	N/A	18"	N/A	1,014
L4080	S	80"	80"	14 1/2"	51"	18"	N/A	N/A	18"	N/A	1,061
L4280	S	80"	80"	14 1/2"	51"	18"	N/A	N/A	18"	N/A	1,061
L5680	S	96"	80"	14 1/2"	51"	32"	N/A	N/A	20"	N/A	1,170
L56D94	D	96"	94"	14 1/2"	65"	32"	N/A	N/A	20"	51"	1,263
L56DW94	D	96"	94"	20"	54"	32"	N/A	N/A	20"	51"	1,302
L5780	S	96"	80"	14 1/2"	51"	32"	N/A	N/A	20"	N/A	1,189
L57DW94	D	96"	94"	20"	54"	32"	N/A	N/A	20"	51"	1,317
L6080	S	108"	80"	14 1/2"	51"	34"	N/A	N/A	24"	N/A	1,277
L60D89	D	108"	89"	14 1/2"	60"	34"	N/A	N/A	24"	42"	1,375
L60D94	D	108"	94"	14 1/2"	65"	34"	N/A	N/A	24"	47"	1,417
L60DW89	D	108"	89"	20"	49"	34"	N/A	N/A	24"	42"	1,404
L60DW94	D	108"	94"	20"	54"	34"	N/A	N/A	24"	47"	1,441
L84D89	D	132"	89"	14 1/2"	60"	34"	24"	N/A	24"	42"	1,670
L84D94	D	132"	94"	14 1/2"	65"	34"	24"	N/A	24"	47"	1,732
L84DW89	D	132"	89"	20"	49"	34"	24"	N/A	24"	42"	1,714
L84DW94	D	132"	94"	20"	54"	34"	24"	N/A	24"	47"	1,756
L108DW94	D	156"	94"	20"	54"	34"	24"	24"	24"	47"	2,071
L120DW94	D	168"	94"	20"	54"	35"	35"	24"	24"	47"	2,231

All L-Series except 37" and 57" CA (RAM)



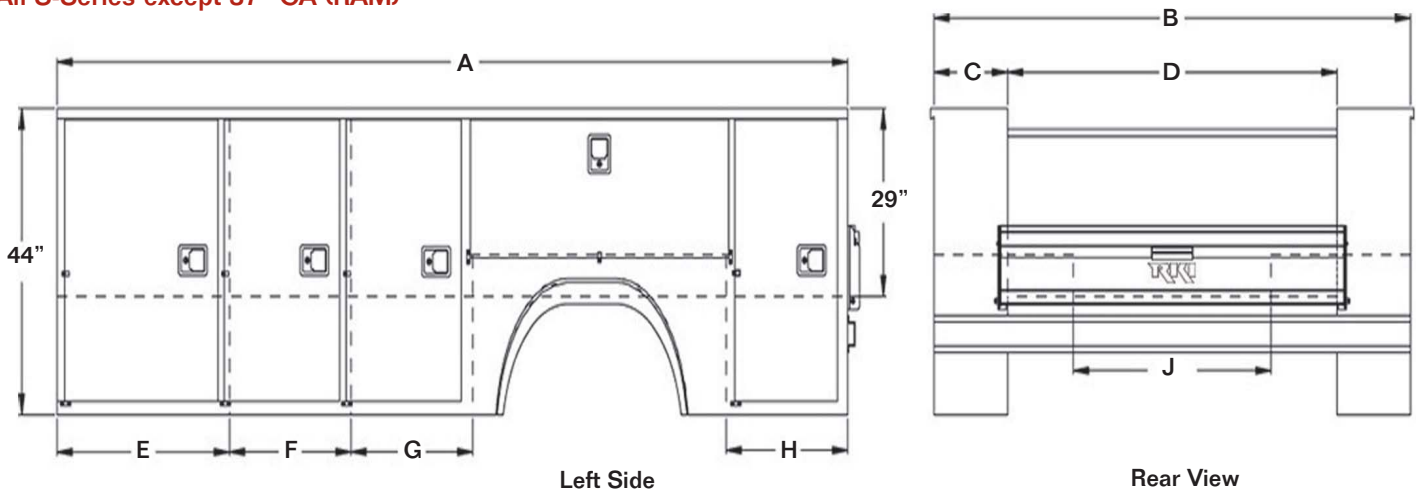
37" and 57" CA (RAM)



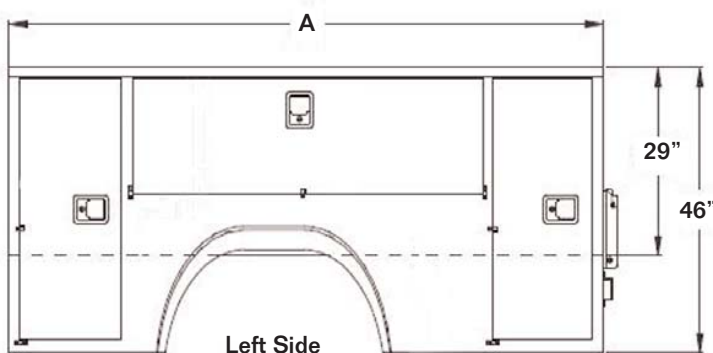
S-SERIES: STANDARD HEIGHT FOR MAXIMUM STORAGE

Specifications											
Model	S=Single Wheel	A	B	C	D	E	F	G	H	J	Approximate Weight (lbs.)
	D=Dual Wheel										
S3780	S	74 1/2"	80"	14 1/2"	51"	15"	N/A	N/A	18"	N/A	1,078
S4080	S	80"	80"	14 1/2"	51"	18"	N/A	N/A	18"	N/A	1,071
S4280	S	80"	80"	14 1/2"	51"	18"	N/A	N/A	18"	N/A	1,071
S5680	S	96"	80"	14 1/2"	51"	32"	N/A	N/A	20"	N/A	1,253
S56D94	D	96"	94"	14 1/2"	65"	32"	N/A	N/A	20"	51"	1,348
S56DW94	D	96"	94"	20"	54"	32"	N/A	N/A	20"	51"	1,372
S6080	S	108"	80"	14 1/2"	51"	34"	N/A	N/A	24"	N/A	1,294
S60D89	D	108"	89"	14 1/2"	60"	34"	N/A	N/A	24"	42"	1,440
S60D94	D	108"	94"	14 1/2"	65"	34"	N/A	N/A	24"	47"	1,482
S60DW89	D	108"	89"	20"	49"	34"	N/A	N/A	24"	42"	1,484
S60DW94	D	108"	94"	20"	54"	34"	N/A	N/A	24"	47"	1,521
S84D89	D	132"	89"	14 1/2"	60"	34"	24"	N/A	24"	42"	1,755
S84D94	D	132"	94"	14 1/2"	65"	34"	24"	N/A	24"	47"	1,817
S84DW89	D	132"	89"	20"	49"	34"	24"	N/A	24"	42"	1,819
S84DW94	D	132"	94"	20"	54"	34"	24"	N/A	24"	47"	1,861
S108DW94	D	156"	94"	20"	54"	34"	24"	24"	24"	47"	2,176
S120DW94	D	168"	94"	20"	54"	35"	35"	24"	24"	47"	2,371

All S-Series except 37" CA (RAM)



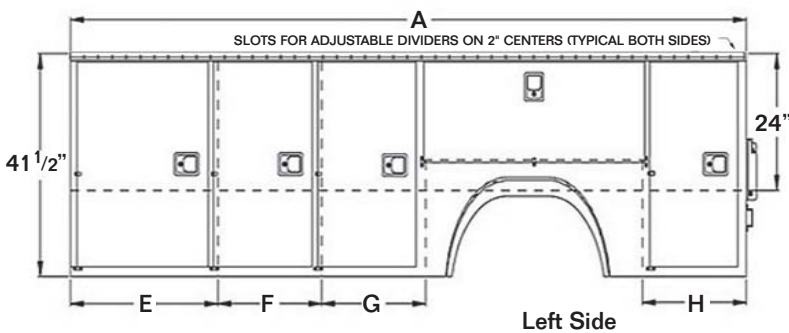
37" CA (RAM)



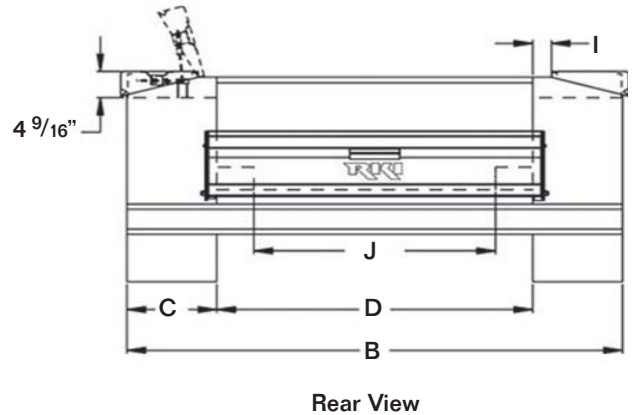
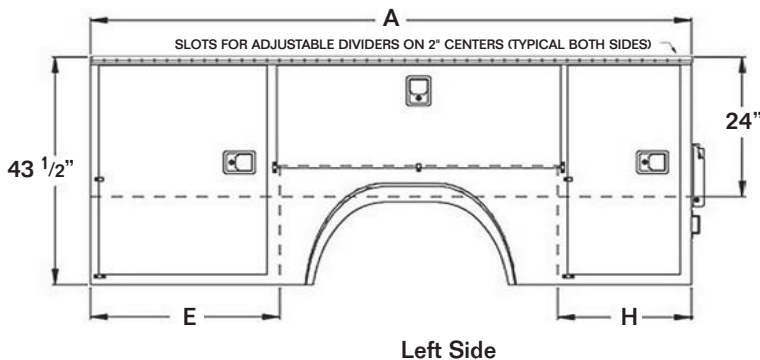
**T-SERIES: TOP-OPENING STORAGE FOR FLEXIBILITY AND CONVENIENCE**

Specifications												
Model	S=Single Wheel D=Dual Wheel											Approximate
	A	B	C	D	E	F	G	H	I	J	Weight (lbs.)	
T3780	S	74 1/2"	80"	14 1/2"	51"	15"	N/A	N/A	18"	3"	N/A	1,135
T4080	S	80"	80"	14 1/2"	51"	18"	N/A	N/A	18"	3"	N/A	1,231
T4280	S	80"	80"	14 1/2"	51"	18"	N/A	N/A	18"	3"	N/A	1,231
T5680	S	96"	80"	14 1/2"	51"	32"	N/A	N/A	20"	3"	N/A	1,333
T56D94	D	96"	94"	14 1/2"	65"	32"	N/A	N/A	20"	3"	51"	1,433
T56DW94	D	96"	94"	20"	54"	32"	N/A	N/A	20"	4"	51"	1,512
T5780	S	96"	80"	14 1/2"	51"	32"	N/A	N/A	20"	3"	N/A	1,354
T57DW94	D	96"	94"	20"	54"	32"	N/A	N/A	20"	4"	51"	1,602
T6080	S	108"	80"	14 1/2"	51"	34"	N/A	N/A	24"	3"	N/A	1,492
T60D89	D	108"	89"	14 1/2"	60"	34"	N/A	N/A	24"	3"	42"	1,540
T60D94	D	108"	94"	14 1/2"	65"	34"	N/A	N/A	24"	3"	47"	1,582
T60DW89	D	108"	89"	20"	49"	34"	N/A	N/A	24"	4"	42"	1,644
T60DW94	D	108"	94"	20"	54"	34"	N/A	N/A	24"	4"	47"	1,681
T84D89	D	132"	89"	14 1/2"	60"	34"	24"	N/A	24"	3"	42"	1,875
T84D94	D	132"	94"	14 1/2"	65"	34"	24"	N/A	24"	3"	47"	1,937
T84DW89	D	132"	89"	20"	49"	34"	24"	N/A	24"	4"	42"	1,989
T84DW94	D	132"	94"	20"	54"	34"	24"	N/A	24"	4"	47"	2,036
T108DW94	D	156"	94"	20"	54"	34"	24"	24"	24"	4"	47"	2,391
T120DW94	D	168"	94"	20"	54"	35"	35"	24"	24"	4"	47"	2,566

All T-Series except 37" and 57" CA (RAM)

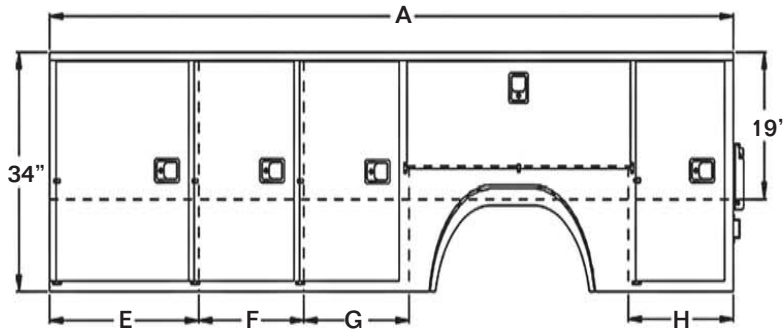


37" and 57" CA (RAM)

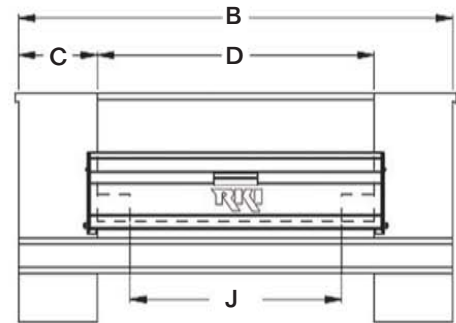


U-SERIES: LOWEST PROFILE STORAGE FOR SUPERIOR VISIBILITY

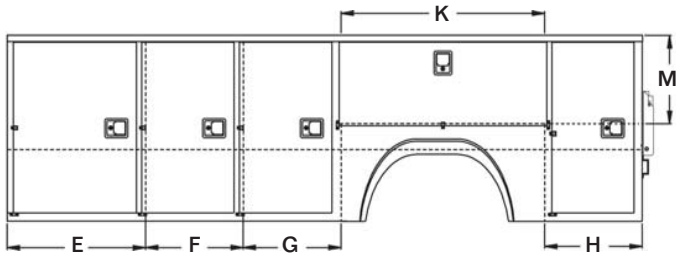
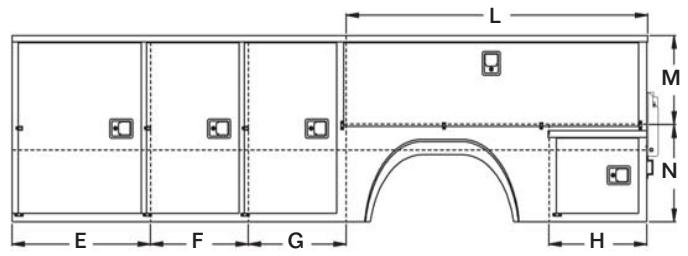
Specifications											
Model	S=Single Wheel D=Dual Wheel	A	B	C	D	E	F	G	H	J	Approximate
											Weight (lbs.)
U5680	S	96"	80"	14 1/2"	51"	32"	N/A	N/A	20"	N/A	1,078
U56D94	D	96"	94"	14 1/2"	65"	32"	N/A	N/A	20"	51"	1,208
U56DW94	D	96"	94"	20"	54"	32"	N/A	N/A	20"	51"	1,224
U6080	S	108"	80"	14 1/2"	51"	34"	N/A	N/A	24"	N/A	1,102
U60D89	D	108"	89"	14 1/2"	60"	34"	N/A	N/A	24"	42"	1,212
U60D94	D	108"	94"	14 1/2"	65"	34"	N/A	N/A	24"	47"	1,261
U60DW89	D	108"	89"	20"	49"	34"	N/A	N/A	24"	42"	1,359
U60DW94	D	108"	94"	20"	54"	34"	N/A	N/A	24"	47"	1,401
U84D89	D	132"	89"	14 1/2"	60"	34"	24"	N/A	24"	42"	1,458
U84D94	D	132"	94"	14 1/2"	65"	34"	24"	N/A	24"	47"	1,512
U84DW89	D	132"	89"	20"	49"	34"	24"	N/A	24"	42"	1,646
U84DW94	D	132"	94"	20"	54"	34"	24"	N/A	24"	47"	1,692
U108DW94	D	156"	94"	20"	54"	34"	24"	24"	24"	47"	1,981
U120DW94	D	168"	94"	20"	54"	35"	35"	24"	24"	47"	2,126



Left Side



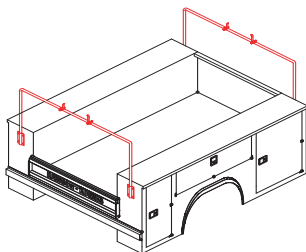
Rear View

**C, E, G, J, L, S, T, AND U-Series Compartment Table**
**#1 Compartment Configuration**

**#2 Compartment Configuration**


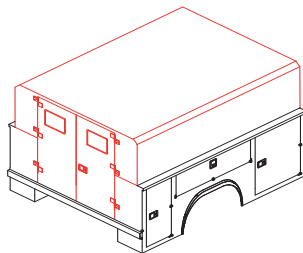
CA	Series	E	F	G	H	K	L	M	N
37	L	15"	N/A	N/A	18"	41 1/2"	N/A"	16"	25"
	S	15"	N/A	N/A	18"	41 1/2"	N/A"	21"	25"
	T	15"	N/A	N/A	18"	41 1/2"	N/A"	14"	29 1/2"
40	L	18"	N/A	N/A	18"	44"	62"	16"	23"
	S	18"	N/A	N/A	18"	44"	62"	21"	23"
	T	18"	N/A	N/A	18"	44"	62"	14"	23"
42	L	18"	N/A	N/A	18"	44"	62"	16"	23"
	S	18"	N/A	N/A	18"	44"	62"	21"	23"
	T	18"	N/A	N/A	18"	44"	62"	14"	23"
56	J	32"	N/A	N/A	20"	44"	64"	11"	21"
	L	32"	N/A	N/A	20"	44"	64"	16"	23"
	S	32"	N/A	N/A	20"	44"	64"	21"	23"
	T	32"	N/A	N/A	20"	44"	64"	14"	23"
	U	32"	N/A	N/A	20"	44"	64"	13"	21"
57	L	32"	N/A	N/A	20"	44"	N/A	16"	20"
	T	32"	N/A	N/A	20"	44"	N/A	14"	20"
60	C	34"	N/A	N/A	24"	49"	N/A	20"	N/A
	E	34"	N/A	N/A	24"	50"	74"	21"	23"
	G	34"	N/A	N/A	24"	50"	N/A	21"	N/A
	J	34"	N/A	N/A	24"	50"	74"	11"	21"
	L	34"	N/A	N/A	24"	50"	74"	16"	23"
	S	34"	N/A	N/A	24"	50"	74"	21"	23"
	T	34"	N/A	N/A	24"	50"	74"	14"	23"
	U	34"	N/A	N/A	24"	50"	74"	13"	21"
84	C	35"	24"	N/A	24"	49"	N/A	20"	N/A
	E	34"	24"	N/A	24"	50"	74"	21"	23"
	G	34"	24"	N/A	24"	50"	N/A	21"	N/A
	J	34"	24"	N/A	24"	50"	74"	11"	21"
	L	34"	24"	N/A	24"	50"	74"	16"	23"
	S	34"	24"	N/A	24"	50"	74"	21"	23"
	T	34"	24"	N/A	24"	50"	74"	14"	23"
	U	34"	24"	N/A	24"	50"	74"	13"	21"
102	E	28"	24"	24"	18"	50"	68"	21"	N/A
108	C	35"	24"	24"	24"	49"	N/A	20"	N/A
	E	34"	24"	24"	24"	50"	74"	21"	N/A
	J	34"	24"	24"	24"	50"	74"	11"	N/A
	L	34"	24"	24"	24"	50"	74"	16"	N/A
	S	34"	24"	24"	24"	50"	74"	21"	N/A
	T	34"	24"	24"	24"	50"	74"	14"	N/A
	U	34"	24"	24"	24"	50"	74"	13"	N/A
120	C	35"	35"	24"	24"	50"	N/A	20"	N/A
	E	35"	35"	24"	24"	50"	74"	21"	N/A
	J	35"	35"	24"	24"	50"	74"	11"	N/A
	L	35"	35"	24"	24"	50"	74"	16"	N/A
	S	35"	35"	24"	24"	50"	74"	21"	N/A
	T	35"	35"	24"	24"	50"	74"	14"	N/A
	U	35"	35"	24"	24"	50"	74"	13"	N/A

RKI offers a full line of accessories to complement your RKI service body. Because we know that proper service body accessories mean maximum performance, our engineers spend extra time designing the best accessory products to help you get your job done right.

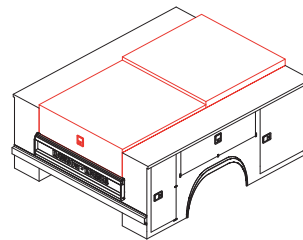
- > BOOK SHELVES
- > BUMPERS (MANY STYLES)
- > CANOPIES
- > COMPARTMENT LIGHTING
- > DRAWER SYSTEMS
- > D-RING HANDLES
- > FLEX-MOUNTING SYSTEM
- > FOLD-OUT SHELVES
- > GAS BOTTLE HOLDERS
- > HOT STICK COMPARTMENT
- > JACK LEGS
- > LADDER RACKS
- > LATCHES
- > LIGHT GUARDS
- > LIGHT HOLES
- > LIGHT KITS
- > LIGHT MOUNTING BRACKETS
- > MASTER LOCKING SYSTEM
- > MATERIAL HOOKS
- > METER SHELVES (CUSTOM)
- > MUD FLAPS
- > OUTRIGGERS
- > RAISED COMPARTMENTS
- > REAR ACCESS DOORS
- > SLIDE-OUT DRAWER SYSTEMS
- > SLIDE-OUT TOOL BOX TRAYS
- > "T" HANDLES
- > TELESCOPIC TOPS
- > THROUGH COMPARTMENTS
- > TIRE CARRIERS
- > TREADPLATE LINERS
- > VISE BRACKETS
- > WHEEL CHOCK HOLDERS
- > WINDOW GRILLES
- MANY OTHER OPTIONS AVAILABLE



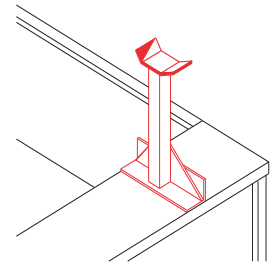
Ladder Racks



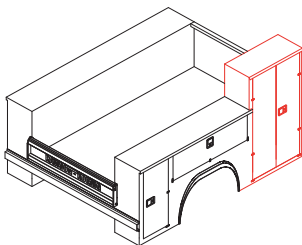
Canopy Bodies



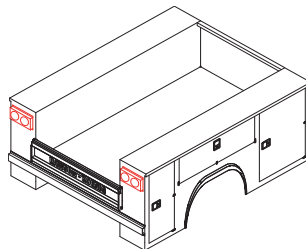
Telescopic Tops



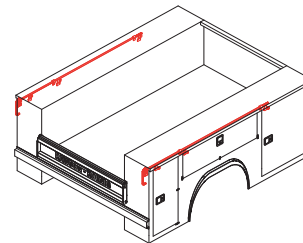
Boom Rests



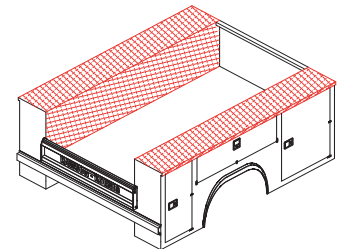
Raised Compartments



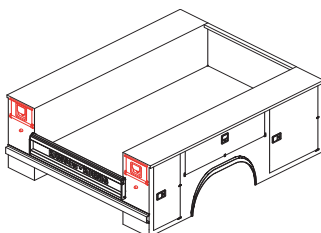
Light Brackets



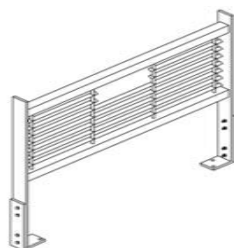
Master Lock Systems



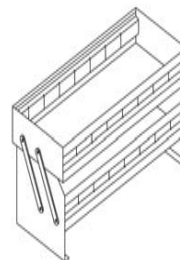
Treadplate Liners



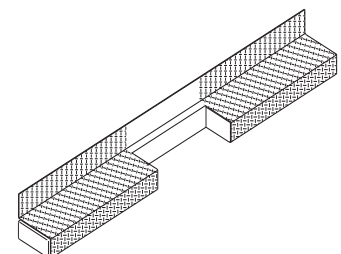
Rear Access Doors



Window Grill



Fold Out Shelves



Heavy Duty Bumpers



[www.rkius.com](http://www.rkius.com)

## Other RKI Quality Products

- > Aluminum Treadplate and Steel Truck Boxes  
for Pickup Trucks and Flatbeds.
- > Canopy Bodies
- > Custom Service Bodies
- > Custom Truck Boxes
- > Floor Drawers
- > Line Bodies
- > Truck Mount Cranes
- > Versatile Storage Systems
- > Winches and Speed Reducers
- > Window Grilles

**RKI, Inc.**  
**2301 Central Parkway**  
**Houston, Texas 77092**  
**713.688.4414**  
**FAX: 713.688.8982**

IN ORDER TO PROVIDE YOU WITH THE MOST INNOVATIVE AND PROGRESSIVE EQUIPMENT, ALL PRICES, SPECIFICATIONS, AND DESIGNS ARE SUBJECT TO CHANGE WITHOUT NOTICE.